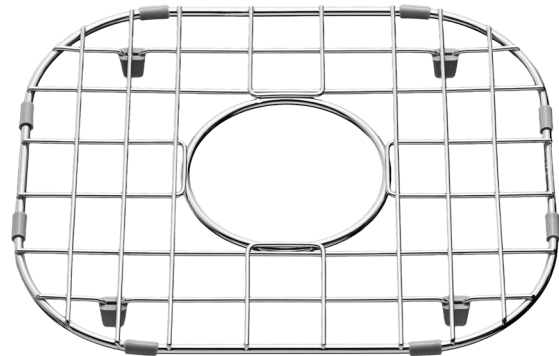


STAINLESS STEEL KITCHEN SINK BOTTOM GRID

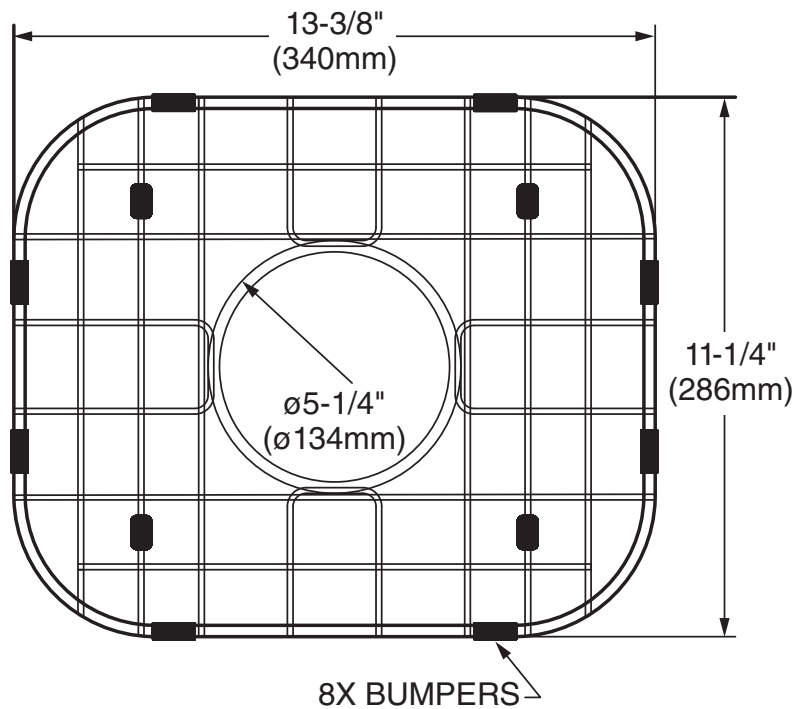
- ☐ Polished stainless with coordinating plastic feet and side bumpers
  - For use with 18SB.9181600S.075 Kitchen Sink

Nominal Dimensions:

13-3/8" x 11-1/4" x 1"  
(340 x 286 x 25mm)



**IMPORTANT:** These measurements are subject to change or cancellation. No responsibility is assumed for use of superseded or voided leaflet.



To Be Specified: